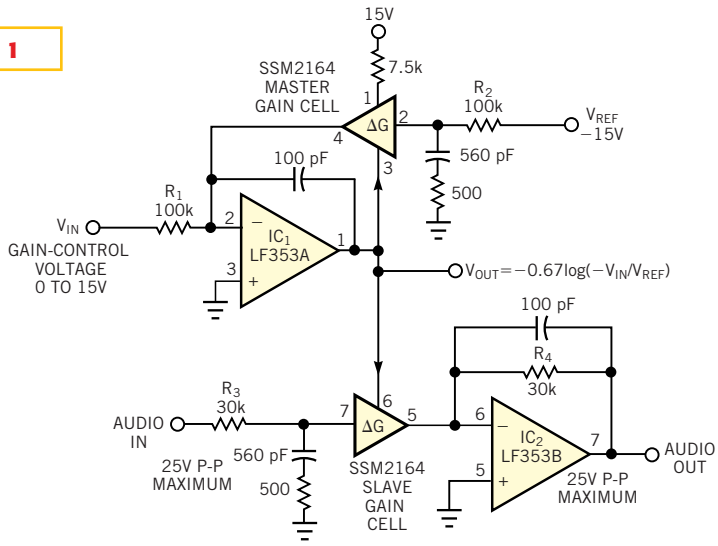


Figure 1



You can obtain both a gain-controlled output and a logarithmic output using this configuration.