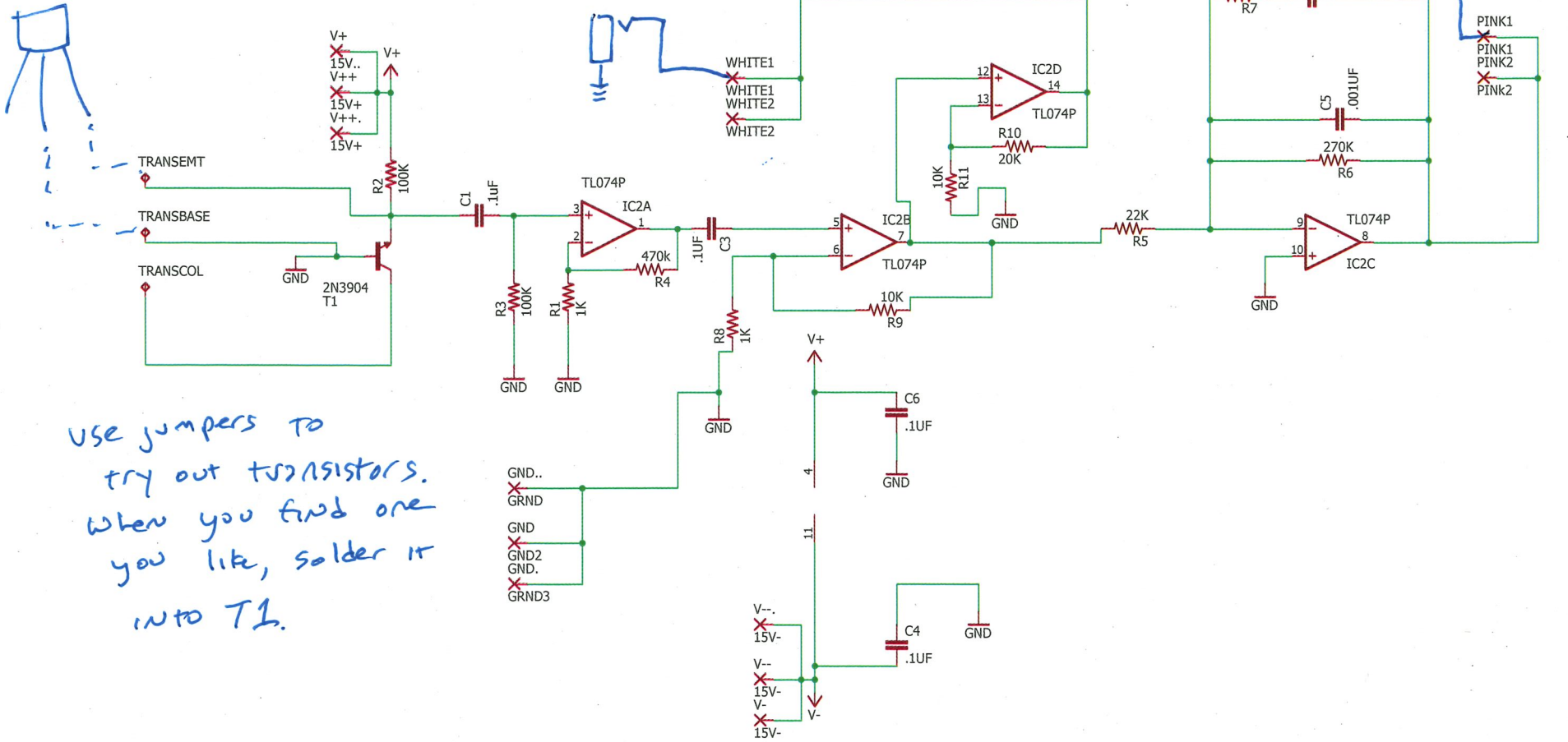


# Noise Wiring Suggestion



WHITE OUT

PINK OUT

Use jumpers to try out transistors. When you find one you like, solder it into T1.